

# Hot Runner Systems



Turn To The Industry Experts

## HOT RUNNER SYSTEMS

A WHOLE NEW CONCEPT OF HOT RUNNER SYSTEMS



**MULTIPLIC SERIES**  
SMALL PARTS AND HIGH CAVITATION

# polimold

# HOT RUNNER SYSTEMS

## THE NEW HOT RUNNER SYSTEMS FROM POLIMOLD

Innovation has always been part of POLIMOLD history, as the leader of Latin America Market of Hot Runner Systems. We are releasing the new line with complete solutions for all industries toolings.

Polimold Hot Runner Systems offer confidence, technology, and benefits, delivering efficiency and quality to your molds.

It is developed to attend a big range of applications, such as automotive, packaging, home appliances and electronics, pharmaceuticals, and much more. The new Hot Runner Systems's concept makes it the ideal solution for your needs.

### SAVINGS ●

+Cycle time reduction, raw plastic material total weight reduction, improved molding efficiency.

### FLEXIBILITY ●

+Polimold engineering team will offer you the most suitable application for each mold design.

### DIVERSITY ●

+A complete line of nozzles and tips for virtually all kind of plastic materials.

### MADE-TO-ORDER ●

+Thousands of assemblies' possibilities.

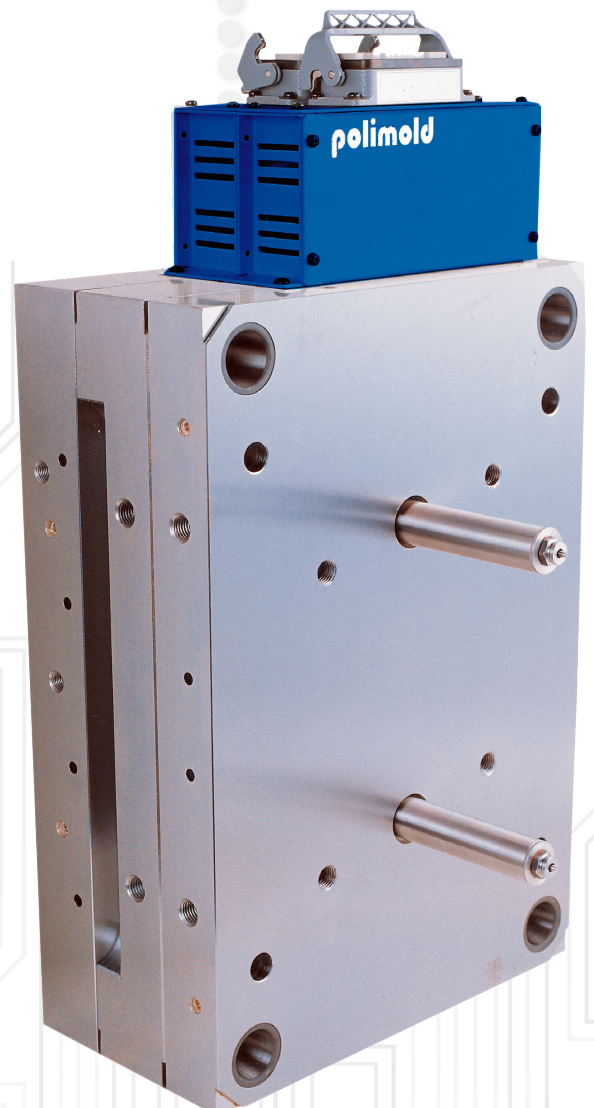
### TECHNOLOGY ●

+ Focused on the market improvements going further on completely pre-wired applications.

### PRESENCE ●

+Customized customer handling to achieve every customer's demands.

## POLIFLEX SERIES TECHNICAL PARTS / ENGINEERING MATERIALS



# STATE-OF-ART TECHNOLOGY FOR YOUR INJECTION MOLDS

POLIMOLD – ISO 9001

350 EMPLOYEES

INDUSTRY 4.0 CONCEPT IMPLEMENTATION

300+ TONS OF STEEL MACHINED MONTHLY

INTERNATIONAL DISTRIBUTION

25+ HOT RUNNER SYSTEM'S DEDICATED ENGINEERS FOR

DESIGN, ANALYSIS AND R&D.

## **MULTIPLIC SERIES**

The ideal solution for high cavitation tools

## **POLIFLEX SERIES**

Completely renewed product line for medium and large parts

## **FLOW ANALYSIS**

Shaping your idea into the reality

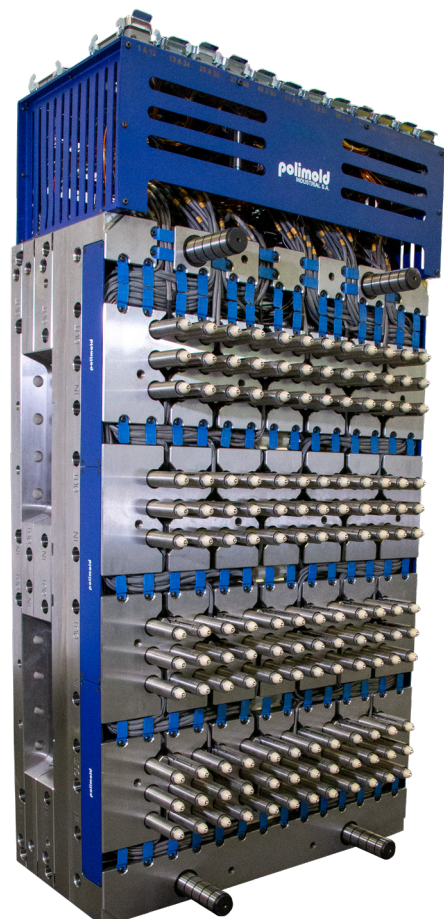
## **TECH SERVICE**

Technical Service available in several countries

## **POLIFLEX SERIES** PRE WIRED HOT RUNNER SYSTEM



## **MULTIPLIC SERIES** UP TO 144 DROPS



# MULTIPLIC

## PRODUCTIVITY AND PRECISION FOR YOUR INJECTION MOLDS

The Multiplic Series product line is suitable for high cavitation molds. This product line can be offered as a thermal gate or valve gate solution, always keeping Polimold Quality Standard.

+Wide application range

+High Performance

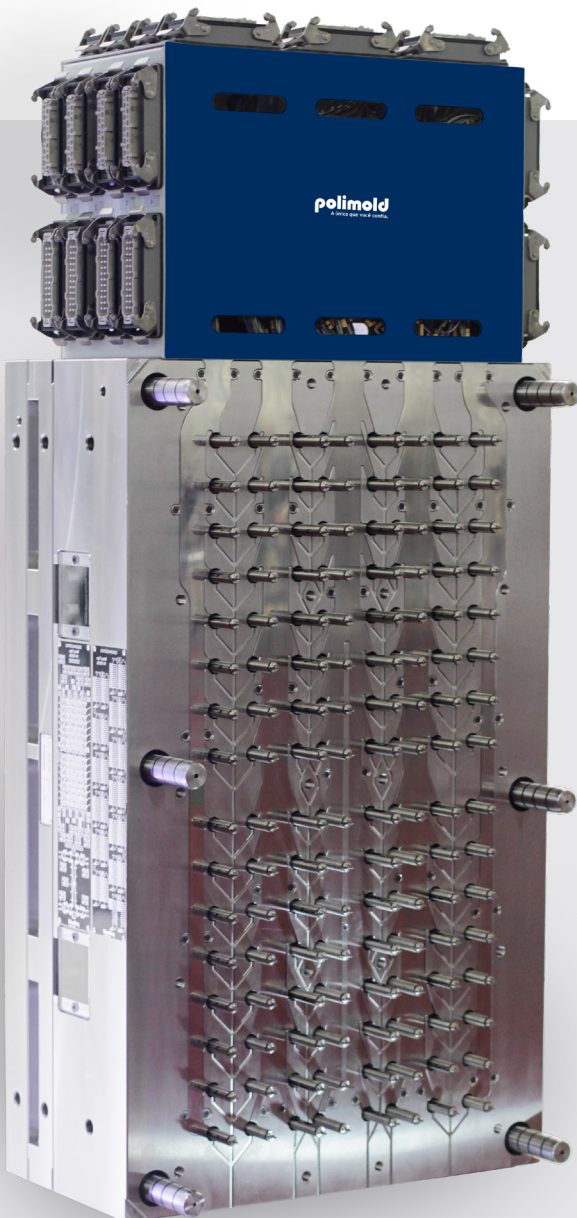
+Completely balanced

+ Precision with assurance

+Better Return Over Investment rate

+Designed for multi-cavity tools

HOT HALF FOR A 128 DROPS HOT RUNNER SYSTEM



### SERIE 25/50

Available on Polifast, Polimax, and Polivalve product families. Excellent thermal performance with reduced distance between cavities. Available for all kind of plastic materials.



### SERIE 100

Available exclusively on the Polifast product family, specially developed for thin wall applications, suitable for commodities materials only.



### SERIE 200

Available exclusively on the Polivalve product family, specially developed for highly demanded applications such as preforms and medium-sized cosmetic parts.

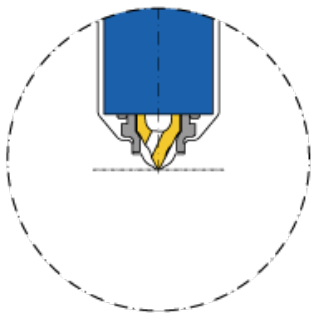
# POLIFLEX

## ULTIMATE TECHNOLOGY FOR YOUR INJECTION MOLDS

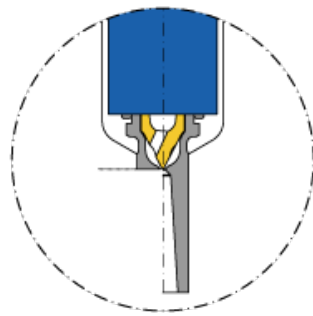
A complete hot runner system product line, allying technology and practicality in only one well-engineered product. Improved variety of nozzles and tips for virtually all kind of plastic materials. The POLIFLEX product line is available on 4 different flow series, with thermal gate and pneumatically or hydraulically driven pre-assembled valve gate solutions.

### SEVERAL ASSEMBLY POSSIBILITIES BY USING ONLY ONE NOZZLE BODY

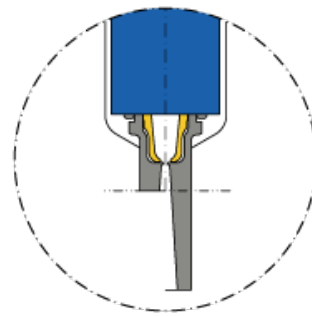
## POLIFLEX Type Style



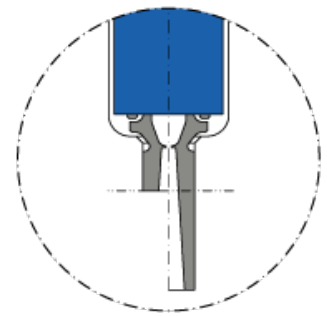
Point Gate



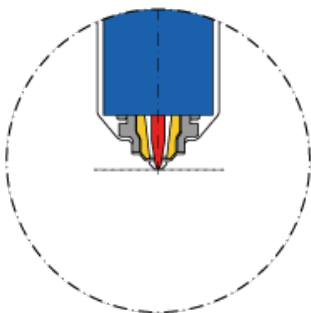
Ring Gate



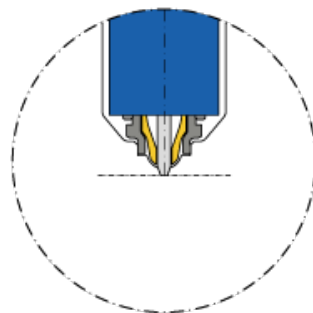
Sprue Gate



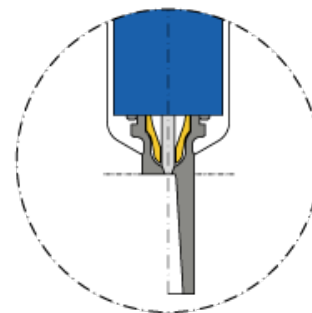
Sprue Gate 2



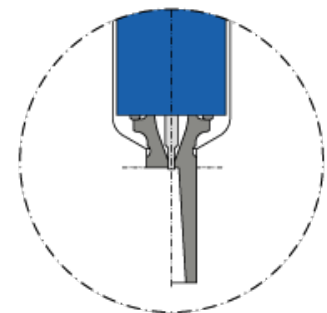
Thermal Gate Point Tip



Valve Gate Point Tip



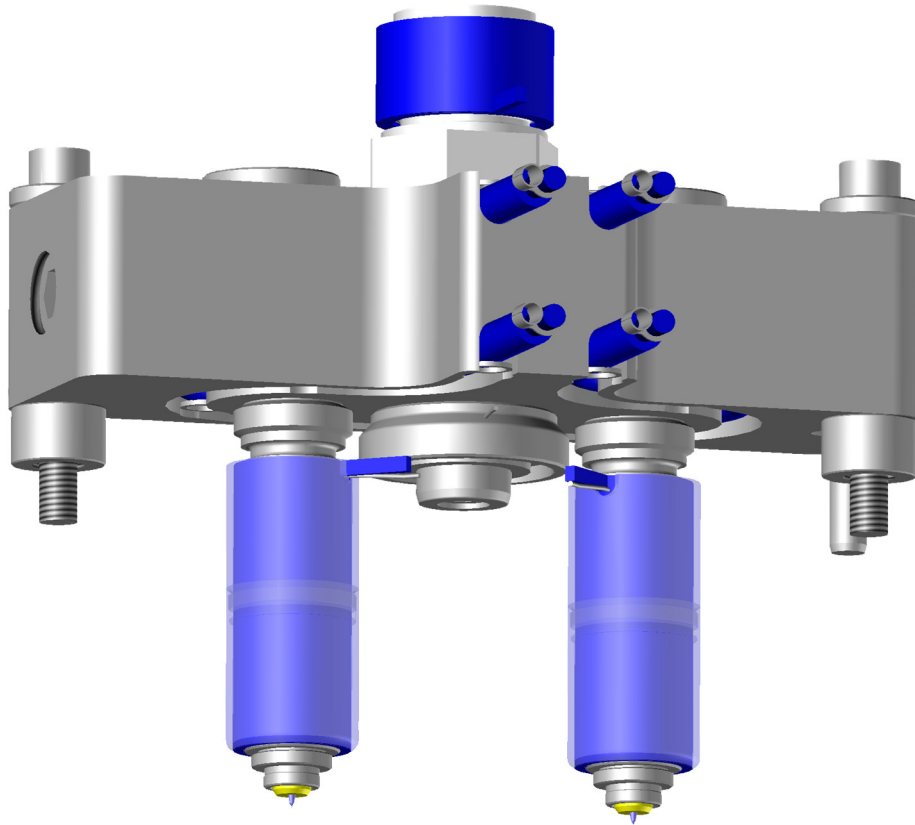
Valve Gate Bush Nut Tip With Conductive Element



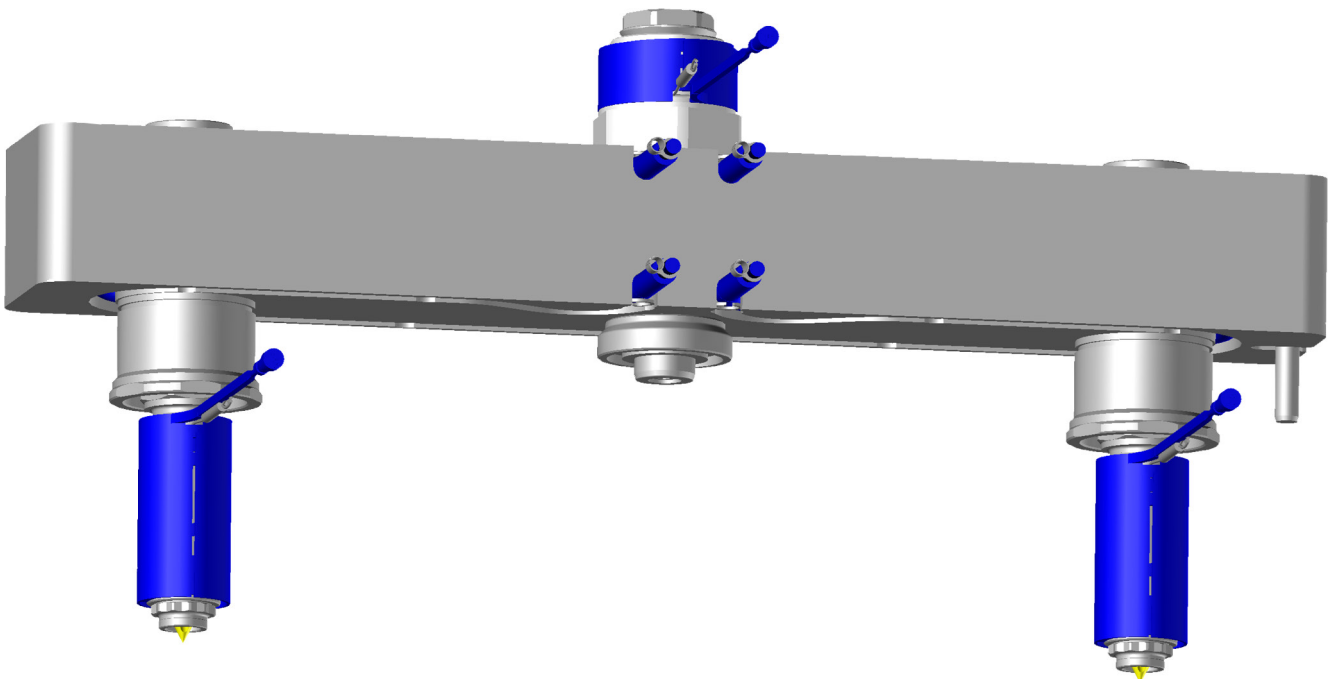
Valve Gate Bush Nut Tip

The new POLIFLEX line carries out the ultimate Polimold technology along with the well-recognized warranty and tech service. This union delivers the customers a well-noticed purchasing experience for technical and complex applications. Thermal and Valve gate applications available, improving customer satisfaction for all kind of molds and budgets.

## **POLIFLEX SERIES** SCREWED IN NOZZLE STYLE



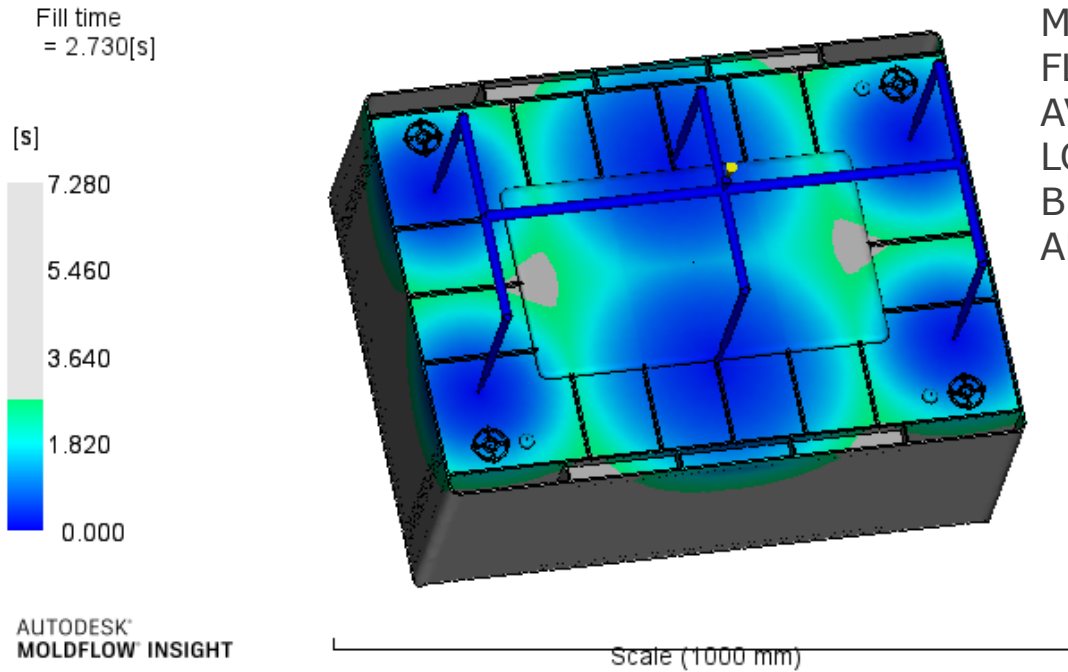
## **POLIFLEX SERIES** STANDARD HEAD NOZZLE STYLE





Turn To The Industry Experts

# polimold



MOLD FLOW  
FLOW ANALYSIS  
AVAILABLE, ALWAYS  
LOOKING FOR THE  
BEST SOLUTION  
AND PERFORMANCE

Y 165  
X -24  
-78

## ENGINEERING, R&D, AND MOLD FLOW ANALYSIS SKILLS AND TECHNOLOGY ADDED ON YOUR DESIGN

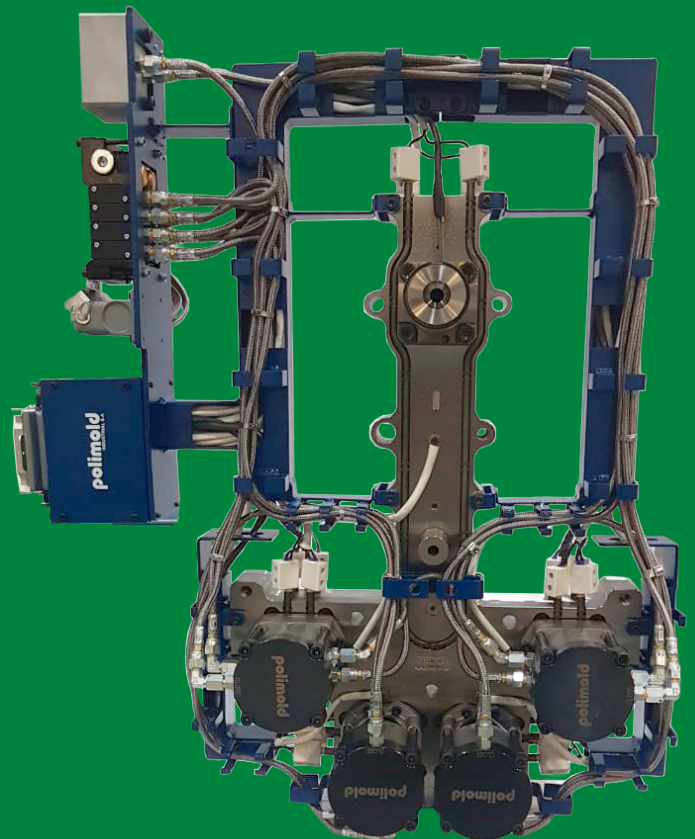
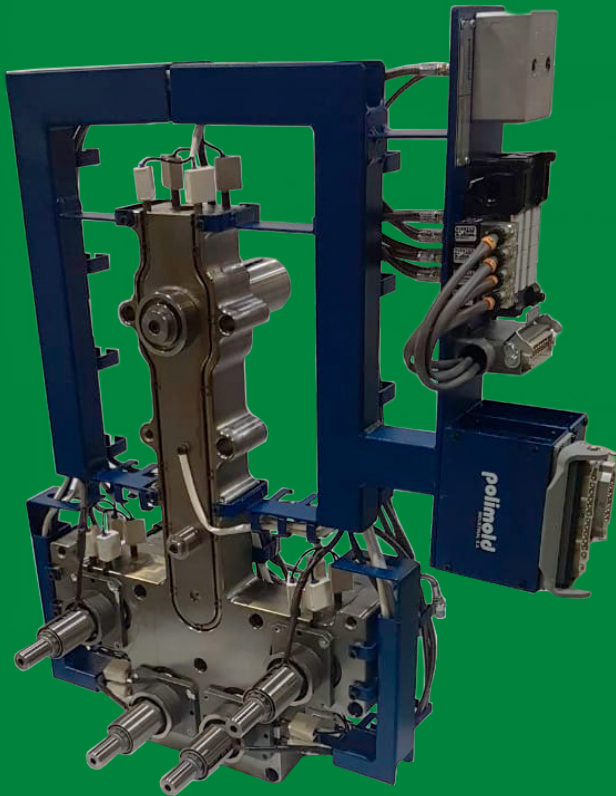
- ✓ Highly qualified engineers
- ✓ R&D team focused on new product development
- ✓ Certified Mold Flow Analysts, homologated on most of OEM companies in South America
- ✓ Design Flexibility to improve ideas and make job flow easier
- ✓ International background

## TECHNICAL SERVICE

- ✓ Technical service supported
- ✓ Skilled and trained technicians
- ✓ Short delivery time for spare parts
- ✓ Tests made following international guidelines
- ✓ All Hot Runner Systems, before shipment, undergo electrical, thermal, cooling line, and dimensional testing



# **POLIFLEX SERIES** SEQUENTIAL VALVE GATE POLIMOLD HOT RUNNER SYSTEM



**PCS Company**  
800-521-0546  
[www.pcs-company.com](http://www.pcs-company.com)  
[hotrunners@pcs-company.com](mailto:hotrunners@pcs-company.com)



*Turn To The Industry Experts*